

SQUARE DRIVE TORQUE WRENCH



TORQUE WRENCH - High Cycle

Quality means Lower Life-Cycle Costs:

- Designed for high cycle life: 2-3x more than existing technology
- Increased reliability: Simple drive assembly means less downtime
- Corrosion resistant material for use in harsh environments

Enhanced Usability:

- Compact nose radius allows the tool to fit in tighter, hard-to-reach spaces
- Low weight, high strength design
- Fast operation, long stroke and optimum flow
- Multi-direction high flow swivel manifold
- Push button square drive reversal and reaction arm positioning

Designed with Safety in Mind:

- Fully enclosed drive mechanism for operator safety
- Swivel manifold internal relief valve prevents retract side over-pressurization
- Fine tooth pawl prevents tool 'lock-on'

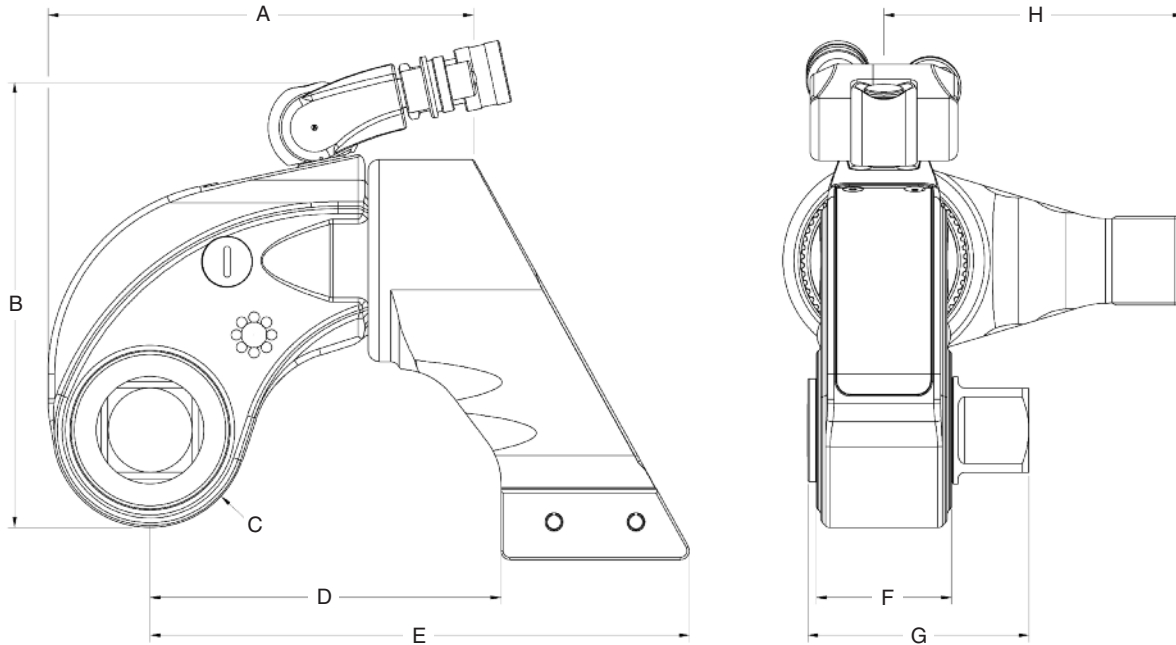


wrench.

SQUARE DRIVE TORQUE WRENCH



Specifications and Dimensional Data



Ref	Torque Output Lb. ft (Nm)	Square Drive in.	A mm	B mm	C mm	D mm	E mm	F mm	G mm	H mm	Weight Kg (Lbs)
TWHC1	1413 (1915)	3/4"	132.0	145.0	28.0	111.5	170.0	39.5	67.7	86.1	2.8 (6.2)
TWHC3	3136 (4249)	1"	165.0	173.5	36.5	129.6	197.7	53.0	83.7	105.1	5.3 (11.7)
TWHC6	6050 (8198)	1-1/2"	192.0	201.6	44.0	158.5	243.7	61.0	99.9	135.1	8.8 (19.4)

Ordering Information

Order No.	Description	Order No.	Description	Order No.	Description
TWHC1H	Wrench with handle	TWHC1	Wrench	DFTAS000001	Handle for TWHC1
TWHC3H	Wrench with handle	TWHC3	Wrench	DFTAS000001	Handle for TWHC3
TWHC6H	Wrench with handle	TWHC6	Wrench	DFTAS000002	Handle for TWHC6

BOLTING SYSTEMS
 spxboltingsystems.com
 powerteam.com